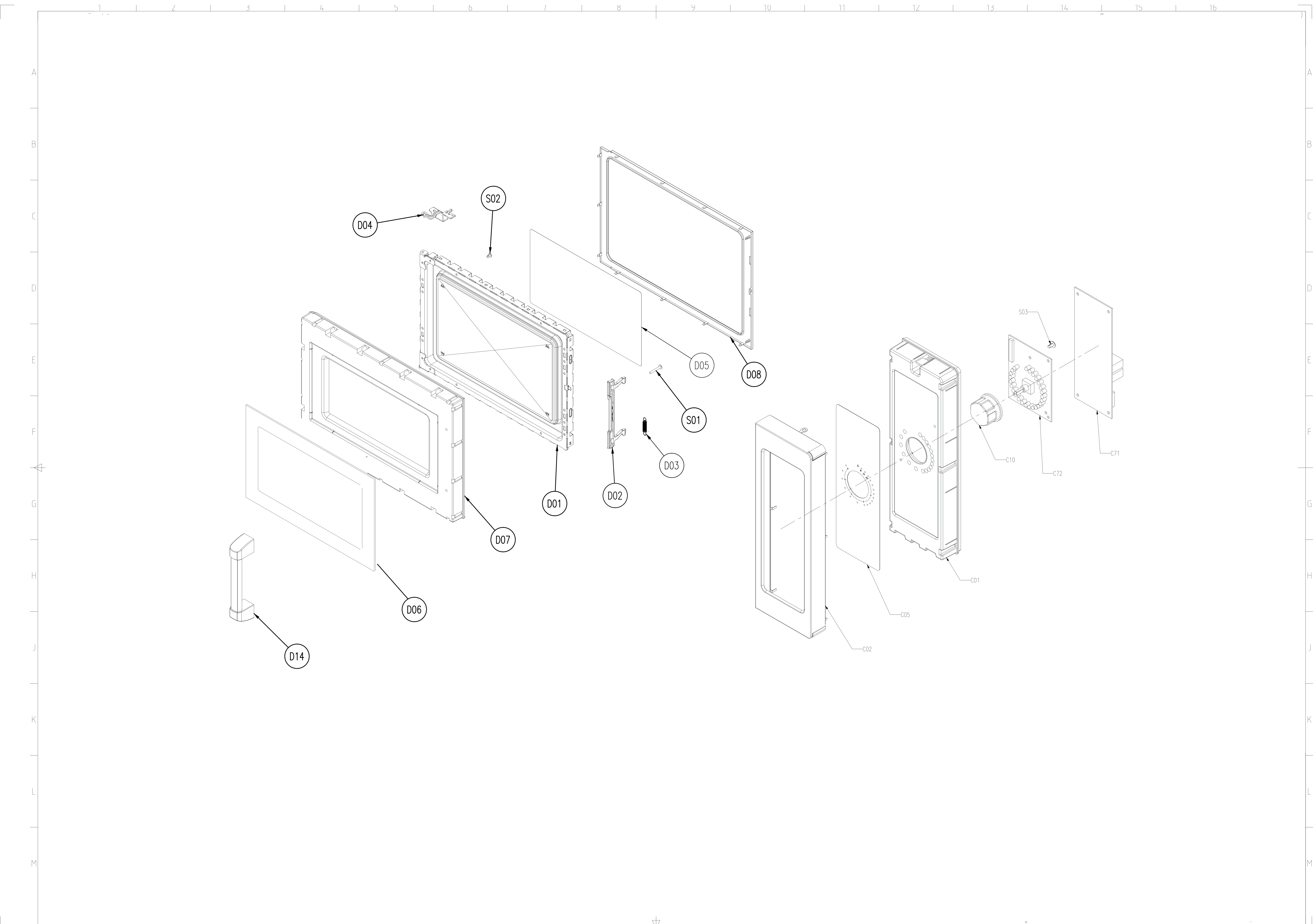


Remark



Part Code	Part Name	Qty/unit	Positon
12270000000055	Cavity Assembly	1	A00
12270000008244	Thermostat Bracket	1	A30
12570000000005	Plate Cover *Inner Assembly	1	A30
12270000000005	Baseplate	1	B01
12270000006204	Hinge Assembly	1	B03
17270000B53874	Control Panel Assembly	1	C00
12170000013783	Control Panel	1	C01
12270000004436	C/Panel Decoration	1	C02
16070000003332	Membrane Decoration	1	C05
12170000008945	Dial Knob	1	C10
17170000003992	MI Assembly	1	C71
17170000010923	MI Assembly	1	C72
12270000B36644	Door Assembly	1	D00
12270000003760	Door Frame Assembly	1	D01
12170000003856	Latch	1	D02
12970000000365	Latch Spring	1	D03
12270000006147	Hinge	1	D04
12170000009513	Door Film	1	D05
12570000000410	Glass Door Screen	1	D06
12170000A17206	Door Panel Assembly	1	D07
12170000009561	Door Gasket	1	D08
12970000000563	Handle Assembly	1	D14
17470000000811	Magnetron	1	E01
17470000000875	H.V.Transformer	1	E05
17470000000699	H.V.Capacitor	1	E06
17470000001007	H.V.Diode	1	E07
17170000002913	Noise Fliter Assembly	1	E10+E11
17470000000634	Integrated Lamp	1	E13
17470000000188	Power Cord	1	E16
17470000009127	Thermostat	1	E35
17470000001481	Thermostat	1	E44
12170000003401	Latch Board	1	L01
12170000007318	Interlock Lever	1	L02
17470000002294	Microswitch	2	L03
17470000002313	Microswitch	1	L04
17470000002444	Main Wire Harness	1	L05
12270000010792	Stirrer Fan Assembly	1	T00
11002014000013	Synchronous Motor	1	T01
12170000003988	Sealing Water Bracket	1	T36
12170000004303	Fan Guide	1	W01
12170000000209	Fan	1	W02
11002017000384	Brushless DC Motor	1	W03
12270000000150	Wind Guide Cover	1	W06
12270000033201	MOUNTING PLATE	1	W17
12270000000158	Wind Guide Cover	1	W20
12270000000176	Lamp Shade	1	Y38
12270000006211	Capacitor Holder	1	Z01
12270000005872	Cover	1	Z24